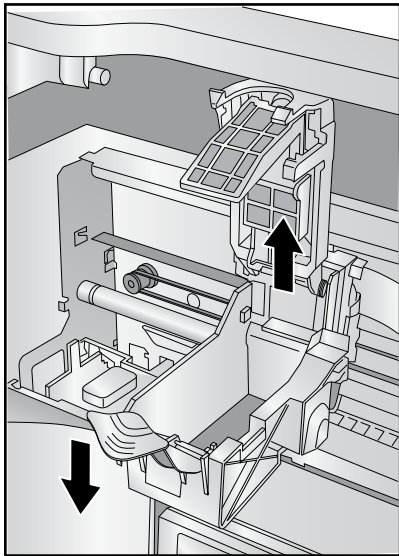


Hardware Setup

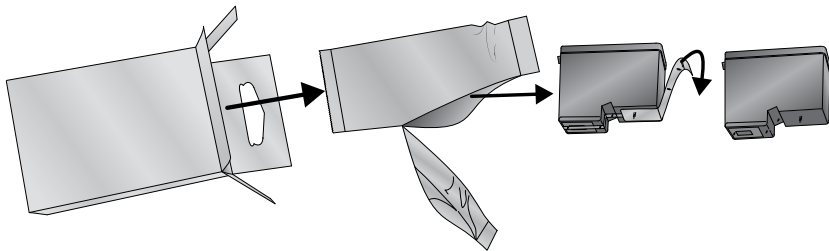
Install the All-in-One Ink Cartridge

The Allegro 20 uses a single ink cartridge to print on your media, supporting monochrome, spot color and full-color images.

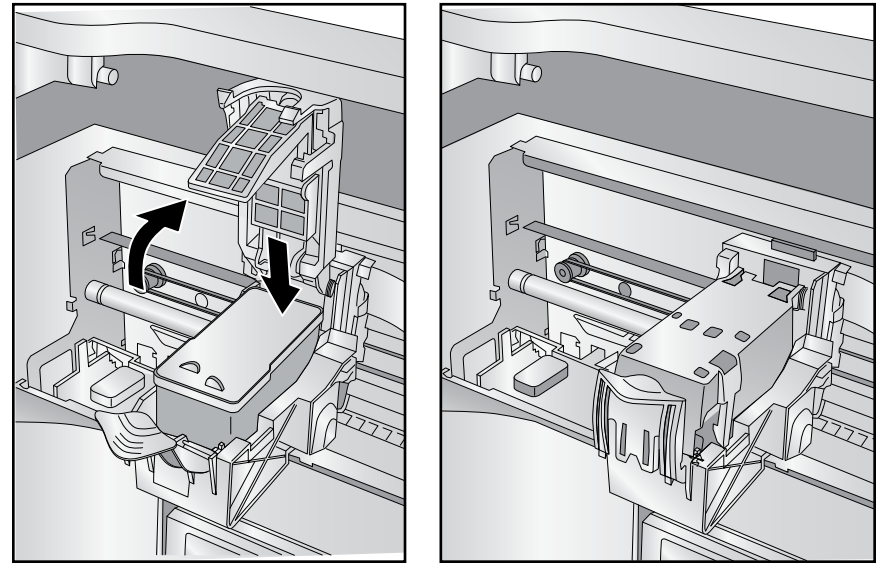
1. With the **Cover** open, press the **Power/Ink Button** to move the **Ink Cartridge Carrier** to the load position.
2. Open the cartridge cover by pressing down on the tab.



3. Remove the **All-in-One Ink Cartridge** from its packaging. Slowly remove the tape covering the cartridge's print head.



4. Insert the **All-in-One Ink Cartridge** into the **Ink Cartridge Carrier**, copper end first and snap the cartridge cover in place.



5. Close the system's **Cover**.
6. You may be prompted to align the cartridge as soon as the software is started. Follow the procedures displayed on your PC screen.

Note: An alignment print is required when you install a new **All-in-One Ink Cartridge**. The software will always prompt you to align the cartridge. Make sure that there is an unprinted disc in the **Input Bin** to complete this alignment.
