

Document History

Version	Release Date	Reason for issue
A	09/15/06	Initial release
B	02/17/09	Updated Product Identification information

Company


Company name: Rimage® Corporation

Company logo:




R I M A G E®

Company address: 7725 Washington Avenue South
Minneapolis, Minnesota 55439
U.S.A.
<http://www.rimage.com>

 **Note:** This Waste from Electric and Electronic Equipment (WEEE) Recycling Passport provides information for treatment facilities. It is not a disassembly instruction. It is for Rimage marked products only. Original Equipment Manufacturer (OEM) products are identified where applicable. Contact the OEM for selective treatment information.

The information presented in this document does not form part of any quotation or contract, is believed to be accurate, is offered at no charge, and may be changed without notice. No liability will be accepted by Rimage for any consequences of its use. Publication thereof does not convey nor imply any license, patent, or other industrial or intellectual property rights.

Product Identification

Product name	Rimage Prism Printer Model: CDPRS	
Description	Thermal printer	
WEEE Category	Category 3, IT & Telecommunication Equipment	
Product weight and dimensions	20 lb (9.07 kg)	
	Height	6.0 in (15.24 cm)
	Width	8.5 in (21.59 cm)
	Depth	14.0 in (35.56 cm)
Product identification		

Product Structure

Location of Subassemblies



Fig. 1. PrismPlus Printer Front View



Fig. 2. PrismPlus Printer Rear View

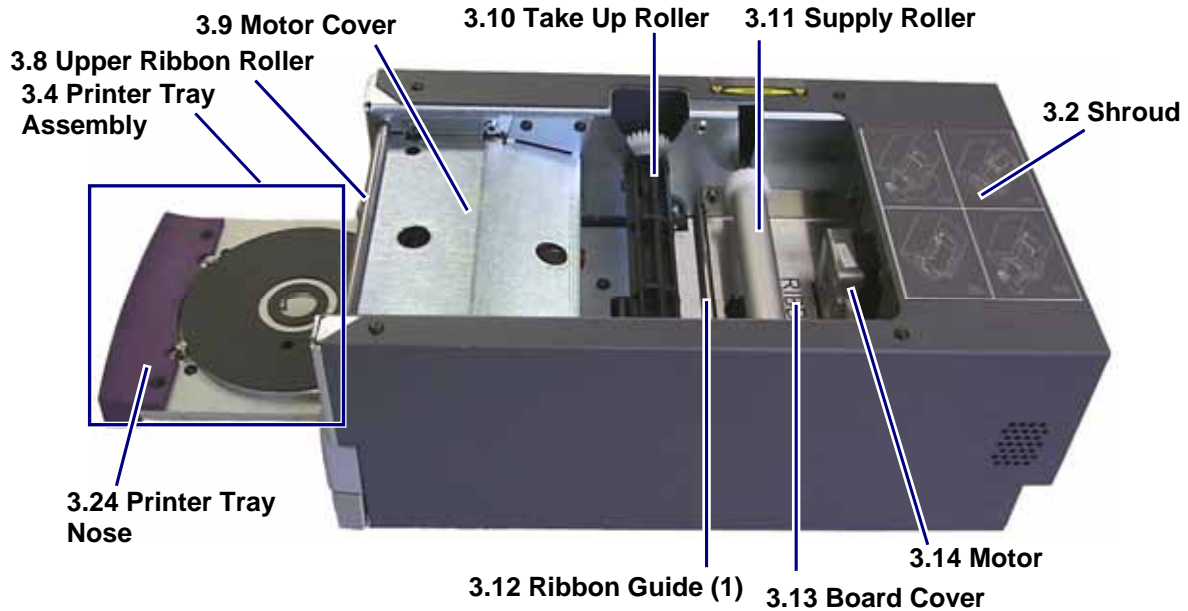


Fig. 3 Top view with shroud and internal covers

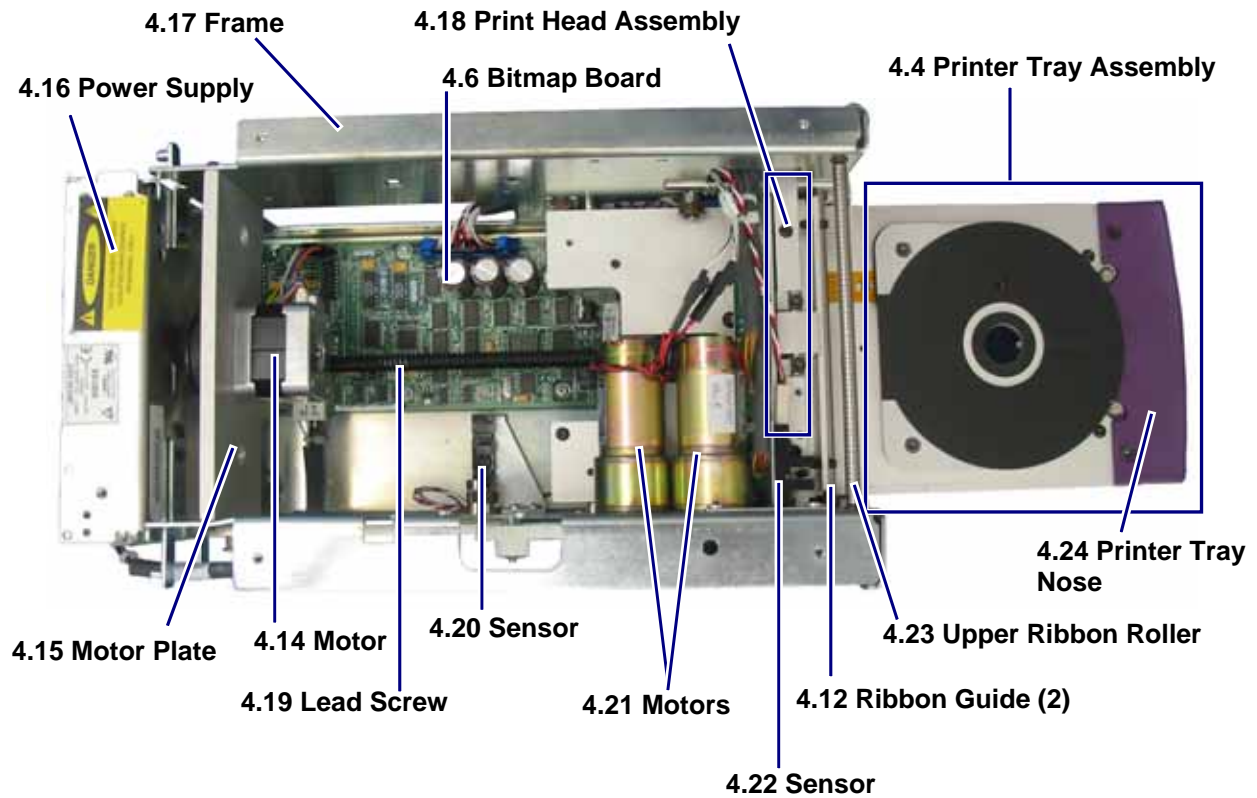


Fig. 4 Top view – shroud and internal covers removed

Subassembly Diagrams

Subassembly – #1



Item 1 – Button Board for Operator Panel (see figure 1.1)
Printed circuit board; pre-RoHS board may contain lead.
Boards marked with Pb-free symbol are RoHS compliant.

Subassembly – #2



Item 5 – Bezel (see figure 1.5)
Plastic printer cover, may contain brominated flame retardants.

Subassembly – #3



Item 3 – Top Cover (see figure 1.3)
Plastic printer cover, may contain brominated flame retardants.

Subassembly - #4



Item 24 – Printer Tray Nose (see figures 3.24 and 4.24)

Plastic printer tray nose, may contain brominated flame retardants.

Subassembly - #5



Item 6 – Bitmap Board (see figure 4.6)

Printed circuit board; pre-RoHS board may contain lead.

Boards marked with Pb-free symbol are RoHS compliant.

Subassembly - #6



Item 18 – Prism Printhead (see figure 4.18)

Printed circuit board; pre-RoHS board may contain lead.

Boards marked with Pb-free symbol are RoHS compliant.

Subassembly - #7



Item 16 – Power supply (see figure 4.16)

Printed circuit board; pre-RoHS board may contain lead.
Boards marked with Pb-free symbol are RoHS compliant.

External cables – may be included



Parallel Cable



USB Cable



Power Cord

Reportable Materials

WEEE Annex II Reportable Materials

Material	Location
Polychlorinated biphenyl - containing capacitors	Absent
Mercury-containing components, such as switches or backlighting lamps	Absent
Batteries	Absent
Printed circuit boards of mobile phones generally, and of other devices if the surface of the printed circuit board is greater than 10 square centimeters	<ul style="list-style-type: none"> • Bitmap board (Fig. 1.6; Fig. 4.6) • Button board (Fig. 1.2) • Power supply (Fig 4.16) • Printhead (Fig. 4.18)
Toner cartridges, liquid and pasty, as well as color toner	Absent
Plastic containing brominated flame retardants	May be present <ul style="list-style-type: none"> • Top cover (Fig.1.3, 1.4) • Bezel (Fig. 1.5) • Printer tray nose (Fig. 3.24, 4.24)
Asbestos waste and components which contain asbestos	Absent
Cathode ray tubes	Absent
Chlorofluorocarbons (CFC), hydrochlorofluorocarbons (HCFC) or hydrofluorocarbons (HFC), hydrocarbons (HC)	Absent
Gas discharge lamps	Absent
Liquid crystal displays (together with their casing where appropriate) of a surface greater than 100 square centimeters and all those back-lighted with gas discharge lamps	Absent
External electric cables	May be included– see product identification photo
Components containing radioactive substances, or materials that become radioactive as a result of the function of the product, such as ionising radiation	Absent

WEEE Recycling Passport

Product: Rimage Prism Printer

website: www.rimage.com

Material	Location
Electrolytic capacitors containing substances of concern (height > 25 mm, diameter > 25 mm or proportionately similar volume)	Absent
Equipment containing gases that are ozone-depleting or have a global warming potential (GWP) above 15, such as those contained in foams and refrigeration circuits.	Absent
Cadmium (Cd)	Absent
Hexavalent Chromium (Cr VI)	Absent
Lead (Pb)	Pre-RoHS = Yes, on all PCBs and cables Post-RoHS = No Boards marked with Pb-free symbol are RoHS compliant.
Mercury (Hg)	Absent
Polybrominated Biphenyls (PBB)	Absent
Polybrominated Diphenyl Ethers (PBDE)	Absent