

Rimage® Allegro™ 100 Setup and Installation Guide



Thank you for selecting the Rimage Allegro 100 disc publishing system.

Before you begin:

This document describes how to set up your Rimage Allegro™ 100 disc publishing system. It is intended for people who are familiar with hardware setup, software installation, and Windows operating systems. If you do not understand the procedures in this document, ask your computer technician for help.

Documents referenced in this procedure shipped with your system and are also available online at www.rimage.com/support under **Autoloader & Printer Support**.

Important!

- Read all setup instructions thoroughly before you begin.
- Save all packing boxes and packing materials.
- Refer to the *PC Specifications* document at www.rimage.com/support for minimum PC requirements.
- Do not plug in any cables until you are instructed to do so.

Notes:

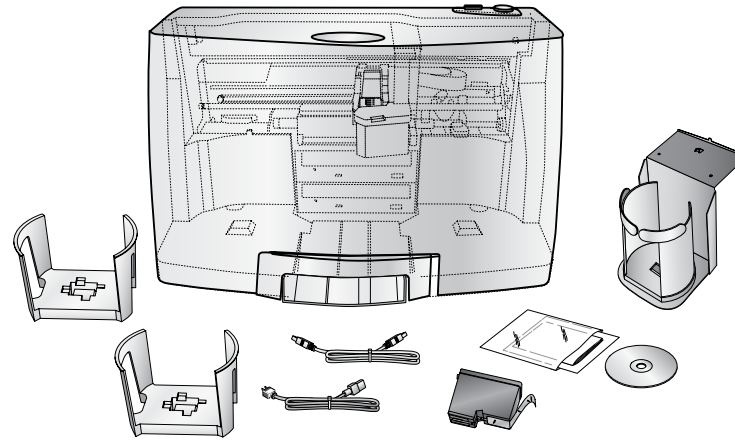
- Your system may not look exactly like the system pictured.
- You must have administrative privileges to install the Rimage Software Suite.

1 Unpack the accessory kit

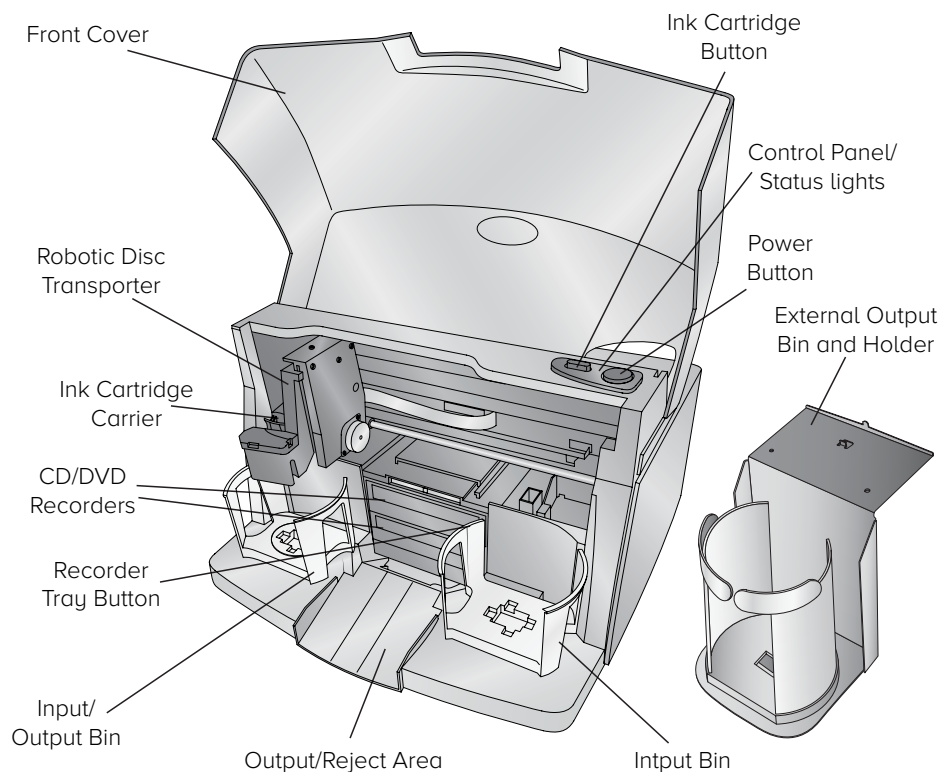
As you unpack your system, remove any tape or cardboard restraints from the system. The accessory kit contains:

- *Allegro Setup and Installation Guide* (this document)
- *Rimage Product Warranty/Guarantee*
- A/C cord
- USB cable
- All-in-one ink cartridge
- Rimage Allegro User Guide disc
- Rimage Software Suite disc
- External output bin
- Two internal bins

Note: Your Allegro system may come with an extra **power cord**. Please use the correct **power cord** for your region.

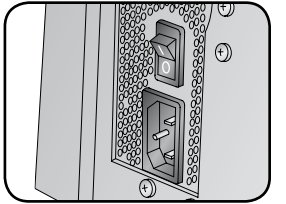


2 Get to know your Rimage Allegro 100



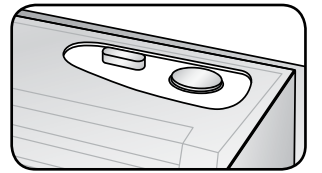
3 Connect the power cable and power on the system

- Connect the **power cord** to the **power/ input port** on the back of the Allegro 100.
- Plug the other end of the **power cord** into an electrical outlet.
- Ensure that the **main power switch** at the back of the Allegro 100 system is in the “on” position.



Important!

- Do not connect the USB cable at this time.
 - The outlet must be an earth-grounded outlet.
- Press the **power button** on the top of the Rimage Allegro 100 system. The power indicator light illuminates solid blue.
 - Power on the **external PC** that will send content to the Allegro 100 for output.



4 Install the bins

- Install both **bins** by placing them on the mounting pegs as shown in Figure 1.
- (Optional) Install **external output bin** if you want to use both internal bins for input.
 - Attach the **external output bin holder** by first allowing the holder to hang off the edge of the table.
 - Align the **locating tabs** on the **external output bin holder** with the **slots** located on the underside of the Allegro 100, as shown in Figure 2, and lower the Allegro 100 carefully into place onto the **external output bin holder**. Notice that the slots allow for adjusting the position of the **external output bin holder**. If your discs are not falling into the bin, you will be able to move the holder slightly to align it.
 - Place the **external output bin** on the **external output bin holder** as shown in Figure 3.

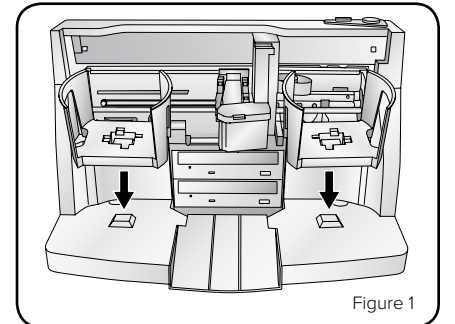


Figure 1

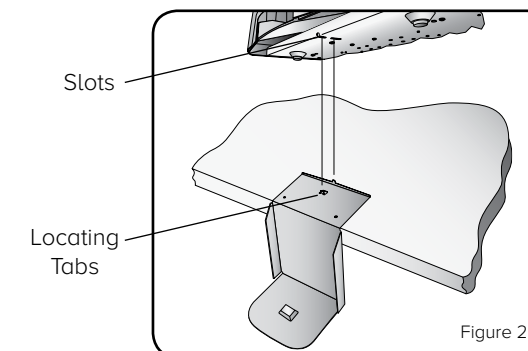


Figure 2

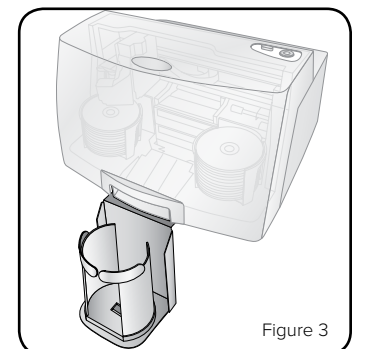
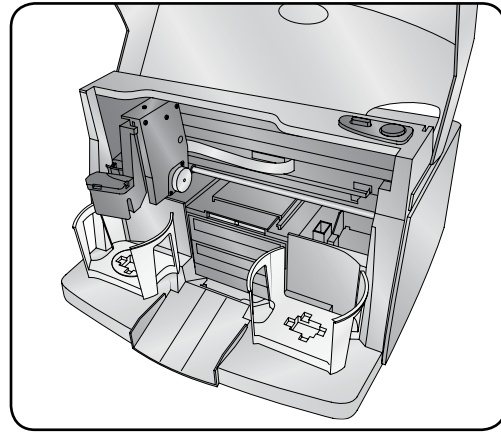


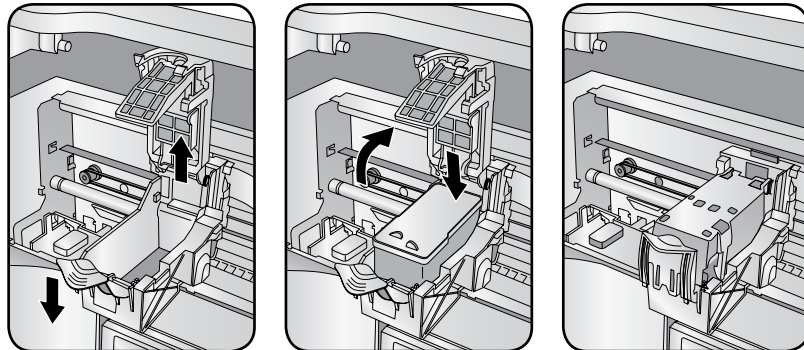
Figure 3

5 Install the all-in-one ink cartridge

- Lift the printer **cover**.
- The ink cartridge cradle automatically moves to loading position.



- When the ink cartridge cradle is stationary, lift the **cartridge latch** (see below).
- Slide the **all-in-one ink cartridge** into the cradle as shown.
- Close the **cartridge latch**.

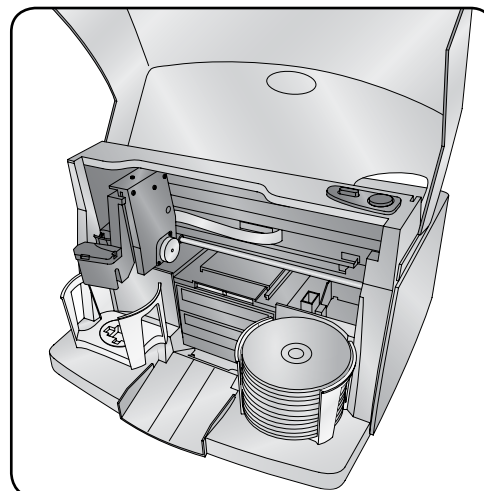


- Close the printer **cover**. The Allegro 100 system initializes.

6 Load discs in the system

The **input bins** hold 50 discs each. Use only recordable discs that are coated with an inkjet printable surface. Place the **discs** in the right **input bin** so that the recording side of the discs is facing down; the print surface will be facing up.

If desired, also place discs in the left **input/output bin**, attach the **external output bin** and **holder**, and specify bin configuration in the software.



7 Install the software and plug in the USB cable

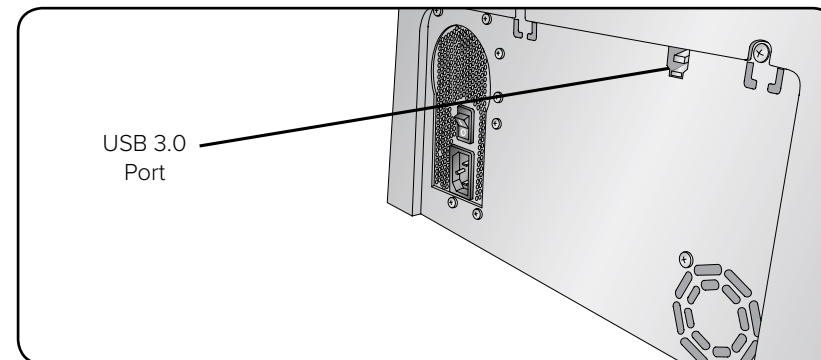
Important! Do not plug in the USB cable until instructed to do so.

Note: You must have administrative privileges to install the software on the external PC.

- Place the **Rimage Software Suite disc** into the disc drive of the connected external PC. The **Choose Setup Language** dialog box opens. (The default is English).

Tip: If the software installation does not start automatically, browse to the **DistSetup.exe** file on the **Rimage Software Suite disc**.

- Follow the on-screen prompts to continue the software installation.
- When prompted, connect the **USB cable**.
 - Connect the **USB cable** to the back of the Allegro 100.
 - Connect the other end of the **USB cable** to the external PC.



Note: For optimum performance, connect the Allegro 100 USB cable to a USB port on your motherboard rather than to a USB card port.

- Continue to follow the on-screen prompts to complete installation. Once installation is complete, you may be prompted to reboot your PC.

Note: After the software starts, the Allegro 100 system begins the initialization process. Initialization may take up to 5 minutes. During the initialization process, the lift arm moves to the recorder and the printer. When the lift arm assembly stops moving, initialization is complete and your system is ready to process jobs.

8 Answer setup prompts

Your PC may prompt you for alignment and calibration. Follow the prompts on the screen.

9 Test and verify

Use QuickDisc™ to run a 3-disc test job to verify that the Allegro 100 system is operating correctly.

Note: You can now use Rimage WebRSM™ to adjust the system settings.

10 Learn more

- These documents are available on the **Rimage Allegro User Guide disc** that shipped with your Allegro 100 system:

- Rimage Allegro 100 User Guide*
- Rimage Product Warranty*

Access these documents by placing the **User Guide disc** in the disc drive of a PC.

Note: If the User Guide menu does not display automatically, browse to the **Home.htm** file on the **User Guide disc**.

- Please refer to www.rimage.com for the most current versions of all documents.
- For information about operating and maintaining the Allegro 100 system, refer to the *Rimage Allegro 100 User Guide*.
- For additional support and product information, go to www.rimage.com/support.

11 How to power off your Allegro 100 system

We recommend always leaving the **main power switch** on the back of the system in the “on” position to ensure that the Allegro 100 system is ready when needed. To power the Allegro 100 off, press the **power button** once.